

Immanuel Messenger

GOD WITH US



A Message from Pastor Callahan

December 2019 & January 2020

Dear Friends of Immanuel,

“O give thanks unto the Lord, for He is good; for His steadfast love endures forever”

– Ps. 118:29

As a kid, this was the “common table prayer” that was spoken every day before dinner around my grandparents table. This is the time of the year that we think a little bit more about “giving thanks” as we look forward to the day dedicated to that very proposition, as well as to the even greater Holy Day when we will celebrate the incarnation of our Lord. Truly, at this time of the year, we have a lot to be thankful for!

A search through the Bible will yield numerous results when you look for the words “give thanks”. 37 times those words appear in the book of Psalms alone! The one thing that you will never find in connection with those two words is a time limit. Never does Scripture urge us only to give thanks during the fall and winter months. Never are we told to give thanks only when the times are good and plentiful. In fact, we are told to “give thanks in *all* circumstances” (1 Thess. 5:18). This time of year we are more apt to give thanks as we consider the friends and family that will surround us, (in many cases) the much needed time off from work to spend with our loved ones, and the season that works gratitude in our hearts. As we look forward to Christmas, we give thanks for the Babe of Bethlehem, the Lord’s Christ who was

born to save His people from their sins. This is, indeed, the greatest gift of all!

But as the months continue on, as the weather warms, the flowers come back into bloom, and the days once again grow longer, let our time of giving thanks not abate. Every day we have is a gift from our Lord, and within that

The Greatest Gift



gift are innumerable other gifts that we are given each and every day we are blessed to have basking in the love and provision of our Lord! As we look to Christ, the Author and Perfecter of our faith, we are reminded of the forgiveness, life, and salvation that come from Him alone, that alien righteousness that is given to us through nothing other than faith. That, truly, is something that is always worth being thankful for.

So, this Thanksgiving and Christmas, as you spend some much needed time relaxing and catching up with the friends and family that you haven’t seen in what seems like ages, take some time to count your blessings, not the least of which is the blessing of the Christ-child in this season and always. In fact, take some time out each and every day to count your blessings. You’ll find that you will quickly run out of fingers and toes on which to count them! May the Lord bless your holiday season; have a Happy Thanksgiving and a very Blessed Christmas!

Pastor Callahan

SPECIAL DATES TO REMEMBER:

- First Sunday in Advent, **Dec. 1**
- Second Sunday in Advent, **Dec. 8**
- Third Sunday in Advent, **Dec. 15**
- First day of winter, **Dec. 21**
- Fourth Sunday in Advent, **Dec. 22**
- Christmas Eve, **Dec. 24**
- Christmas Day, **Dec. 25**
- ILS Sunday, **Dec. 29**
- New Year's Eve, **Dec. 31**
- New Year's Day, **Jan. 1**
- Epiphany, **Jan. 6**
- The Baptism of our Lord, **Jan. 12**
- Martin Luther King, Jr. Day, **Jan. 20**
- Lutheran Schools Week, **Jan. 27 – 31**



HELP US CARE FOR YOU: *Your well-being is important to us and we want to pray for you!* When you or a family member is hospitalized, we want to serve you with prayers and visits. Unfortunately, we are no longer notified by the hospital; please call the church office when you have any medical/surgical procedure or in any time of spiritual need at **217-442-5675**.



Prayer requests: we are certainly pleased to pray for your (non-member) family and friends alongside our Immanuel members. Please keep us informed of their needs.

YEAR END GIVING: Per IRS regulations, all donations have to be received in the church office no later than **Dec. 31** to be considered a 2019 donation. If they are received after that time, they will be put on the 2020 giving statements.

Have you heard of Amazon Smile? Amazon Smile, found at www.smile.amazon.com, is just like Amazon.com, but for everything you order, a portion of the total purchase price is donated to a charity of your choice, such as Immanuel Lutheran Church. You just sign in using your normal Amazon username and password, choose the charity to support (suggestion: Immanuel Lutheran Church in Danville, IL), and start ordering as normal. A quick update for those already using Amazon Smile, if you have Danville Lutheran School chosen as your charity, it is no longer an option. Please log in and change your charity. We suggest Immanuel Lutheran Church! If you shop on Amazon, this is an easy way to add some additional support to YOUR church!

“That the Creator Himself comes to us and becomes our ransom – this is the reason for our rejoicing.”

—Martin Luther

DIRECTORY UPDATES: Please note the following address change in your copy of the church phone directory: **Paul and LuAnn Pasquale** have moved to 14 Old Ottawa Court, Danville, IL 61832. We will continue to update new or corrected contact information in the newsletter each month as it becomes available. Please contact Kim in the church office if your information changes or is listed incorrectly. *Thank you!*

2020 ENVELOPES are coming soon! Please do not use your new envelopes until 2020 as your envelope number may have changed; likewise, do not use leftover 2019 envelopes after **Jan. 1**. This will help us accurately acknowledge your contributions. If you currently do not have envelopes, but would like to begin using them, please call Kim in the church office. Thanks! **Please note:** Per IRS regulations, donations must be given by **Dec. 31** to be considered a 2019 donation. Any donations received after that date will go on your 2020 contribution statement.

PLEASE NOTE: Be sure to keep all your valuables out of sight and your vehicle doors locked. We have had trouble in the past during this time of year; so we extend this word of caution!

OFFICE HOURS: Kim Davis is taking some vacation days in December. Office hours may be limited on **Dec. 5, 6, 9, 12, 13, 23, 26, & 27**. The office is also closed on Christmas Eve, Christmas Day, and New Year's Day. If you need to reach the office, please call and leave a message, or send an email. We will contact you as soon as possible. In any time of spiritual need, please contact one of our elders: John Albers (597-1005), Don DeMoss (799-1035), or Ken Kuhn (446-8440). *Thanks for your patience!*

THRIVENT MEMBERS: Thrivent Action Teams make it easy to live generously. It starts with a simple question: *“Who can I help and how?”* You can help Immanuel! There are many events and activities right here in our church and school that could benefit from an Action Team. Thrivent will donate \$250 to jumpstart a fundraiser, service project, or event of your choice. You get two per year – don't let them go to waste! Talk to Sue Heidle or Dwain Dixson to learn more or if you would like some help getting started with an Action Team today!

THANK YOU! At the door offering on **Nov. 3**, \$545.00 was collected for our Lutheran Cemetery! The money is used for mowing, regular maintenance, and cleanups. Keep the cemetery in mind throughout the year – you can donate any time!

Immanuel or Emmanuel? During this time of Advent and Christmas, here at Immanuel Lutheran Church and across the world, we sing the hymn ***O Come, O Come, Emmanuel***.

So, have you ever wondered what's the difference between Immanuel and Emmanuel? As we note on our printed materials, the word Immanuel means "God With Us." The name first appeared in the Old Testament in Isaiah 7:14: "Therefore the Lord himself will give you a sign. Behold, the virgin shall conceive and bear a son, and shall call his name Immanuel." This prophesy is again noted in Matthew's account of the birth of Christ, chapter 1, verses 22-23: "All this took place to fulfill what the Lord had spoken by the prophet: 'Behold, the virgin shall conceive and bear a son, and they shall call his name Emmanuel' (which means, God with us)."

From the information I've been able to find on the subject, the difference comes from the translations of the ancient texts. The Old Testament was written in Hebrew, so the beginning letter of the word was best represented by an I in Isaiah. Then when the New Testament was written Greek, the first letter was translated to English as an E. The hymn ***O Come, O Come, Emmanuel*** was originally written in Latin in the 12th century. So by the time you've translated Hebrew to Greek to Latin to English, it's possible to have two different spellings for the same word.

But no matter whether its Immanuel or Emmanuel, either reminds us that God is with us through all our trials and joys in life. Come celebrate **God With Us** this Advent and Christmas season!

MIDWEEK ADVENT SERVICES: Join us on Wednesday nights, **Dec. 4, 11 & 18** at 6:30 pm for our Midweek Advent Services. Pastor Leo Kostizen will lead us in preparing for the coming of our Lord with the theme "*Little Child in a Manger Lay*".



CHRISTMAS EVE CANDLIGHT SERVICE: Join us in celebrating the birth of Christ at our candlelight Christmas Eve service with Holy Communion at 10:00 pm on **Dec. 24**.

ILS SUNDAY is **Dec. 29**. We'll have a door offering to benefit the Zora Drews Scholarship Fund. You can have a direct impact on the children at ILS. This fund helps families struggling financially keep their children in our school, where they learn about Jesus every day!



ALTAR FLOWERS: Soon, we will post the new 2020 Altar Flowers signup poster. Altar flowers are a great way to celebrate special occasions and remember loved ones. The cost is just \$30.00 per Sunday. You can take the flowers home to enjoy following the service. *Do you know you can request certain flowers or colors?* For example, request your wedding colors when you celebrate an anniversary to make them special to you on your special day! If you would like to make such a request, please contact Mary Powell by the Tuesday before to allow the florist time to prepare them for you. As a reminder, please do not take the green vases as we reuse them each week. There are plastic bags available in the sacristy for you to get them home in, where you can put them in your vases. Checks should be made payable to the Women's Guild; envelopes for this purpose are available on the hall bulletin board next to the signup sheet.



POINSETTIAS: Thank you to all who ordered poinsettias from the ILS fundraiser! If you ordered poinsettias for personal use, you make pick them up at the school on **Dec. 5** from 8 am – 4 pm. If you purchased them to adorn Immanuel's altar this Christmas season in memory of a loved one, we will place them on the altar for you. Please call the school office at 442-5036 with any questions. *Thank you for your support of Immanuel Lutheran School!*

SUNDAY SCHOOL: The Children's Christmas service is **Dec. 22** during the regular church service. We will practice for the service on **Dec. 21** at 10 am. We will finish at about 11:30 am and enjoy pizza for lunch. **Please note: there is no Sunday school or Adult Bible Class on Dec. 29.** During January, the children will examine "*The Case of the Missing Scroll: King Josiah*." God blesses all who hear and honor His Word. Through his Holy Word, God grants his children faith, favor, and blessing. January Bible verse: "*Let the Word of Christ dwell in you richly.*" Colossians 3:16.

JANUARY WORSHIP ANEW: Since this is a combined December and January Newsletter, the program summaries for January's Worship Anew services were not available by the time of publication. We will have them available as soon as they are published. If you would like a copy, please call the church office – we would be happy to mail it to you!

DECEMBER WOMEN'S GUILD NEWS:

Ladies of Immanuel, you are all invited to the Women's Guild Christmas Party and Potluck on **Dec. 10** at 6 pm. Please bring a dish to pass; tableware and drinks will be provided. At the party, we will enjoy a delicious meal, pack Christmas stockings, and enjoy fellowship with fun and caroling. We look forward to a great evening and hope to see many there!



The Women's Guild remembers our homebound members at Christmas by baking and delivering cookies. If you would be willing to bake or deliver cookies please sign up on the hallway bulletin board. The cookies need to be in the multipurpose room by noon on **Dec. 16**. We thank you in advance for your help!

The guild board will meet on **Dec. 5** at 9 am.

JANUARY WOMEN'S GUILD NEWS:

The January meeting of the Women's Guild is a luncheon meeting on **Jan. 14** at 11:30 am in the multipurpose room. Please bring a dish to pass; dessert and tableware are provided. Watch your mailbox for information on our January in-gathering project. The guild board will meet on **Jan. 9** at 9 am.

"BE BORN IN US TODAY": In 1865, Phillips Brooks, an Episcopal preacher from Boston, went on a Holy Land pilgrimage. Riding horseback from Jerusalem to Bethlehem for Christmas Eve worship at the Church of the Nativity was so moving that he wrote "*O Little Town of Bethlehem.*" The hymn's final stanza addresses the town's most famous newborn:

*O holy child of Bethlehem, descend to us, we pray;
Cast out our sin and enter in; be born in us today.
We hear the Christmas angels the great glad tidings tell;
O come to us, abide with us, our Lord Emmanuel!*

GIFT (SCRIP) CARDS: The next scrip order is due to the church office by 1 pm on **Dec. 9**. These cards make excellent *Christmas gifts/stocking stuffers!* This is an easy way to get something for everyone without the hassle of shopping in the stores. Each vendor gives us a percentage of the face value of the card which is our *profit*; it varies from 1.5% to 14%. Orders are not limited to the vendors listed on the order form. If you want to order a vendor not listed, see if it is available at www.shopwithscrip.com. Write the name of the vendor, denomination of the gift card, number of cards wanted, and total amount on a blank line. Some cards available **every Sunday** in the hallway and in the church office during the week. The January order due date is **Jan. 13** with pickup on **Jan. 19**.

JANUARY CID LWML MITE BYTES:

Mission Grant #6 – "With God's Little Ones" in Ankepaka, Madagascar - \$2,500

Working with partners in the Malagasy Lutheran Church, this grant would construct and equip a women's craft center where women and girls learn a variety of income-producing skills. Also constructed would be a larger, open-sided shelter where this Lutheran community could worship (they currently have no church building) and meet in all kinds of weather.

How can I help? Pray that God provides the Malagasy Lutheran Church the skills, knowledge, and support to build this shelter and teach income-producing skills. Support this grant by donating to your church's LWML society mite fund.

CAPITAL FUND DRIVE: Thanks be to God the Father for His wonderful gift to us of His Son, Jesus. *THE FOLLOWING ACCOMPLISHMENTS ARE ENTIRELY DONE THROUGH THE GENEROUS GIVING OF OUR CONGREGATION!* Without these generous gifts of time, talents and donations since 2012, these projects wouldn't have been possible.

- New organ \$18,565
- Replaced the church HVAC \$125,083
- New lights in the sanctuary \$17,373.62
- New flat roof over the sanctuary 3,405
- AED for sanctuary \$1,199—funded entirely through grant from Vermilion Healthcare Foundation
- Parsonage:
 - New HVAC \$6,650
 - New roof \$7,755
 - Attic insulation \$1,745
 - Electrical work \$1,321.26
- Partial payment towards new playground equipment (from Hog Roast proceeds) \$4,149.25
- Mortgage pay down & monthly payments \$104,735.10
- 2017 projects completed:
 - New cafeteria stoves/ovens \$9,561.50
 - Drainage tile (church & parsonage) \$21,234.51
 - South portion of parking lot resealed and restriped \$8,960
- 2018 projects:
 - Parsonage crawlspace sealing and insulation \$4,347
 - New parsonage driveway asphalt \$7,525
 - Replacing east side school windows \$55,500
- 2019 projects:
 - West side school windows \$29,140 (this hopefully will be done during Christmas break)

Our Phase 2 pledge drive has already started, but it's not too late to pledge/donate to the Capital Fund Drive. All donations from large to small are equally appreciated. If you have any questions, please contact Jo Van Hoveln or any of the committee members.



CAPITAL FUND CHRISTMAS TREE: There's a Christmas tree in the narthex for special year end gifts to the Capital Fund Drive. It has all blue and silver ornaments (and no lights). This tree is special because each of the ornaments has a white tag with either a dollar amount (or left blank for you to fill in). There are special envelopes beside the tree. Please take an ornament as a remembrance and put the white tag with a check for the corresponding amount inside the envelope. Place the completed envelope in the collection plate. All donations will be used to build up our cash to pay for replacing the remaining school windows. (See Capital Fund Drive Committee report in this newsletter for more information on this project). *Remember all donations to be counted in 2019 must be in the church office by December 31 to be counted on your 2019 giving statement.* The tree will be left up until Epiphany so can get a jump start on your 2020 giving!

MEN'S CLUB CHRISTMAS POTLUCK is **Dec. 9** at 6 pm in the multipurpose room. The meat, drinks, and table service are provided; please bring a dish to share. There is a sign-up sheet on the bulletin board on the hall. All members of Immanuel are welcome: men, women, couples, and singles. Call Ken Kuhn at 446-8440 with questions.

REMINDER: As you make room for your new Christmas gifts (*out with the old and in with the new!*), remember that Immanuel will have a Spring Rummage Sale! If you need a place to store your donations until the sale, call the church office or speak with Sue Heidle.

"Our hope is not in the new year, but in the One who makes all things new."

CID MISSION STORY: Ray wrote a note about the work of CID Pastor and Prison Chaplain Steve Southward in conducting prison Bible studies. Here is a portion of what Ray wrote: "I met quite a few chaplains and volunteers over the past year [of incarceration]. But none seem as dedicated, or caring, or are as genuine as Stephen Southward. "A lot of the people who come in to minister just seem to be going through the motions, almost routine. I believe [that] just like prayer, worship should never be just routine. . . . Mr. Southward goes above and beyond to make sure of this. "He's not stuck on the basics. He gets straight to the meat of the Gospel. That's why I like him. "He doesn't just come in and spoon feed us warm milk. He doesn't come in here to tickle our ears. He says exactly what we need to hear. "Thank you, Mr. Southward, and may God bless you above and beyond your expectations. You are running your race well. I look up to your example." The Lord has used your congregation's gifts to the Central Illinois District to put Pastor Steve Southward into Illinois prisons for more than a quarter century. Thank you! "I thank my God . . . because of your partnership in the gospel" (Phil. 1:3-5).

STAY CONNECTED WITH THE CID:

CID's website: <http://www.cidlcms.org/>

CID's GatePost: <http://www.cidlcms.org/gatepost.html>

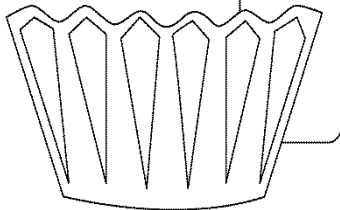
THE LUTHERAN LEGACY FOUNDATION

specializes in 'endowment funds', also called 'permanent funds', because the principle remains permanently invested while the earnings provide a stream of revenue. Immanuel has set up a fund for both the church general fund and the building and grounds. An initial \$10,000 from savings was invested in each fund, which qualified us for a matching \$5,000 grant for each fund. Another \$15,000 was invested to the building and grounds. All contributions to the buildings and grounds fund will continue to receive a 20% match. To donate directly to Lutheran Legacy Foundation, you can go online to lutheranlegacyfoundation.org and click on the "funds" link on the top of the page, then on "churches". All churches are in alphabetical order, scroll down until you find Immanuel in Danville and click on the "donate" button to the right. From there, you can choose which fund you would like to donate to (either building and grounds or general fund) and you can choose to donate by credit card or check. If you wish to mail a check, the donation form is also available on the information table in the hall. There, you can also find a "Frequently Asked Questions" handout to learn more! Remember this as a way to make a special year end contribution to Immanuel!

Light the way



Make some Christmas candles to remember Jesus, the Light of the world.

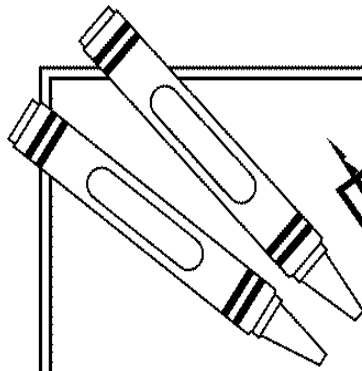


What you need:

- Unlined white notecards
- Hot glue (and adult help)
- Yellow tissue paper
- Mini muffin liners
- Clothespins

What you do:

1. Roll a notecard from side to side into a "candle" tube. Secure with glue.
2. Insert a piece of tissue paper "flame" in one end.
3. Glue the other end to a muffin liner. Then glue the liner to a clothespin.
4. Repeat to make many paper candles. Pin them to the branches of a Christmas tree.



PUZZLE

Symbols of the *season*

Many traditional decorations convey the meaning of Christmas.

Directions: Use the picture clues to the right to complete the words. Then write the boxed letters in order to complete 2 Corinthians 9:15, NIV.



shepherd's staff

_ _ _ _

tree that keeps its leaves

_ _ _ _ _ _ _ _

shines to lead the way

_ _ _ _

green for eternal life,
red for Jesus' blood

_ _ _ _ &
_ _ _ _ _ _

sounds to announce
good news

_ _ _ _

has no beginning or end

_ _ _ _ _

Th ks b to od fo is
indesc ba le gif !

2 CORINTHIANS 9:15, NIV

Answer: candy cane, evergreen, star, holly & berries, bell, wreath;
Thanks be to God for his indescribable gift! 2 Corinthians 9:15, NIV

Immanuel Lutheran School News

NOVEMBER REVIEW

We had a great turn out for the Veteran's Day Spaghetti Dinner! The children put on a wonderful concert for the Veterans. They sang out and spoke their lines proudly! Our Thanksgiving Dinner was wonderful as well. Thanks so much to all involved with making the food and all the teachers who taught the children the songs they performed for the musical presentation.

FROM THE PRINCIPAL'S DESK

We would like to thank all of our parents, grandparents, and friends for your tremendous support of Immanuel Lutheran School. Attendance at our various family and community activities has been outstanding. I have received many comments from the Immanuel congregation on how it feels like we are one again in all of our endeavors.

Please remember, as we enter the Christmas season to take time to thank our Lord Jesus Christ, for the many blessings he has shown us. Christmas is a special time of year where we share God's love and reflect on the many blessings he has given us this past year.



CHRISTMAS PROGRAM

The children will be celebrating Jesus' birth with a Christmas program titled, "Angels Say *What?!*" The Angels and the Star tell the story with joy of how God sent his son to be born. The date for this is December 17th at 6:30.

MUSIC NOTES

All students are starting work on their Angels Say What Christmas program. Cast has been chosen and the upbeat songs are so fun to learn. Two's are singing a song about friends, "Johnny" and have started learning a circle dance. Threes are working on using their singing voice with echo songs. Fours have learned to play a scale on the xylophone and are learning to count backwards with "Roll Over". K-3rd grade are singing through our magazines learning about musical road signs such as first & second endings, repeat signs, & Coda. We learned to sing the theme song to Spiderman and also did a movement activity while we listened.

SANTA'S WORKSHOP

We are holding a Santa's Workshop where the children can purchase presents for their family members. We are in need of volunteers to take the children shopping. If you are interested please contact Sue Heidle or the school office (442-5036)



IMPORTANT DATES TO REMEMBER

- Santa's Workshop, Dec. 3-6 during school hours
- Breakfast with Santa, Dec. 7 9:00-11:00, \$3-\$5 charge
- Christmas Program, Dec. 17 6:30
- 11:30 Dismissal with no Aftercare, Dec. 20
- Christmas Break, Dec. 23-Jan. 3
- Jan. 6 School resumes

LUTHERAN SCHOOLS WEEK

Lutheran Schools Week is coming up Jan. 26-Jan. 31. We will be doing lots of fun activities throughout the week and ending with a Carnival on Jan. 31. We will kick off the festivities by singing in church on Jan. 26.

PREKINDERGARTEN CLASSES

The two year old class is loving learning about fall. We are currently learning our new fall song we will sing for our Thanksgiving concert. The two's are full of energy and a joy to have in my class!

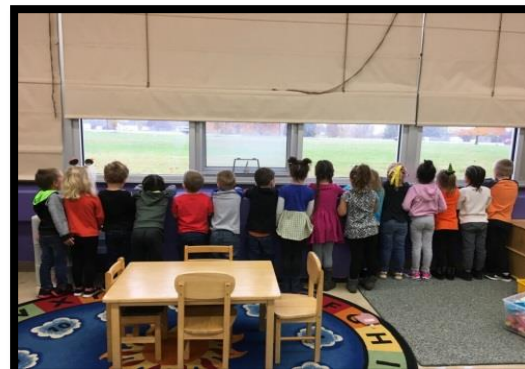
In December, we are busy little elves. We are learning songs for the Christmas program. Also, we will be making a lot of Christmas art projects. The preschool class is excited for "The Polar Express" party where we will receive a bell and ticket to enter the classroom. Then, we will have hot chocolate and popcorn while watching the movie in our pajamas. And we will end the month with a Christmas party. Merry Christmas and Happy New Year!

The pre-k class has had a great fall, but the winter weather is here. Our sand table is still our favorite with corn, pumpkins and gourds and fall leaves in it for us to explore. We have a tee pee up in the classroom and enjoy playing in it. We are learning 2 songs for our Thanksgiving program and really enjoyed our Veteran's program. In God's time we learned about Moses in the basket as well as the 10 commandments and the Red Sea. We continue to work on our 2 digit numbers during calendar time and continue with our letter of the week. Soon we will start working on popcorn words (words that pop up in many sentences). Hope you had a Happy Thanksgiving.

EARLY ELEMENTARY

It is going to be a busy last few weeks of 2019 for Mrs. Showers' class. We are going to fully shift our focus to the birth of Jesus and learn all about the events that led up to our Savior being born. We have a multitude of Christmas projects to complete, including handmade gifts for our families. Our class is most looking forward to the special events during December when we can join our Church family in celebrating the most wonderful time of the year!

Ever been to a desert, ocean, forest, grassland, or a pond? The 2nd/3rd graders are excited to learn and create their own "shoe box ecosystem". An ecosystem is made up of all the living and nonliving things in an environment. We will learn about various ecosystems and everything that makes them unique-weather, animals, plants! We look forward to sharing our ecosystems with you in December!





Lutheran Ministries Media, Inc.
5 Martin Luther Drive, Ft. Wayne, IN 46825-4996

Toll free: 888-286-8002

Email: info@worshipforshutins.org

Website: www.worshipforshutins.org

Making a Christ-like Difference!

- ✓ 30-minute Lutheran Church-Missouri Synod worship service
- ✓ Produced by Lutherans for the homebound, hospitalized, ...
- ✓ Includes the Gospel, Epistle, and Sermon by LCMS Pastors
- ✓ Music by choirs, soloists, and small groups



“Worship Anew” Award Winning Television Ministry

- **Broadcasts weekly on:** **Sundays 7:00 am – WTWO-TV2 (NBC)**
 Sundays 7:30 am – WCIX Channel 3
 Sundays 10:30 am – TCT Network - DIRECTV channel 377
- **Broadcasts Nationwide ever Sunday:** **DIRECTV channel 377**
 11:30 am Eastern; 10:30 am Central; 9:30 am Mountain; 8:30 am Pacific
- **Tune in any time online:** **www.worshipforshutins.org**

December 2019

December 1 (Zechariah 9:9b)

“Your King’s Coming!”

Rev. Shayne Jonker, Faith Lutheran Church~Roanoke, IN

Your King is coming! What would you do if you were expecting the arrival of a king at your home? Would it make any difference in your daily routine? How would you prepare? King Jesus is on His way! He’s coming to you, full of righteousness and bearing salvation. Now that’s an advent to look forward to with hope, with expectation, with longing, and with urgency.

December 8 (Romans 15:4-13)

“Band of Brothers”

By Rev. Paul E. Shoemaker, Emanuel Lutheran Church~New Haven, IN

There is great division in our world. This is also reflected in our country. Jesus came to remove the barriers that separate us so we “may abound in hope.”

December 15 (Isaiah 35:1-10)

“A Blooming Desert”

By Rev. William Mueller, Suburban Bethlehem Church~Fort Wayne, IN

Do you feel dry and deserted? Are the pressures of life squeezing out the joy of living as a Child of God? Take heart for God has Good News for you! Through His prophecy of a “Blooming Desert,” God encourages you!

December 22 (Isaiah 52:7-10)

“The Bare Truth”

By Rev. Dr. Thomas Ahlersmeyer, Holy Cross Lutheran Church~Fort Wayne, IN

The abiding popularity of tell-all, show-all magazines and websites testifies to human curiosity about the “inside scoop,” the bare truth, of celebrities, happenings, and other such things. God’s Word truly tells all and shows all as it delivers The Bare Truth about history’s most important, consequential person... our Lord and Savior Jesus Christ. The Christmas story does so much more than satisfy human curiosity, it shows us God and the way to Him.

December 29 (Matthew 2:13-15, 19-23) **“Nothing Stops God”**

By Rev. Dr. Walter A. Maier III, Concordia Theological Seminary~Fort Wayne, IN

The forces for evil seem powerful, indeed. But no evil power can stop God in his plan to save you, or in any of his blessed plans for you.

SERVING IN...



Official Acts
Funeral
Enid White

Elders

Dec. John Albers, Don DeMoss, Ken Kuhn

Communion Assistants

Dec. 1 David Ammermann, Roger Dahlenburg
15 John Albers, Wayne Mann
10 pm 24 *Volunteers needed!*
29 Kurt Thornsborough, Josh Christensen

Ushers

Dec. **Team "F"**
Capt. Tom Farrell, Dwain Dixon, John Albers, Al Julian

Note: Advent and Special Services:

December 4 6:30 pm Team "D"
December 11 6:30 pm Team "A"
December 18 6:30 pm Team "E"
December 24 10:00 pm Team "C"

Lay Readers

Dec. 1 Bruce Burton
6:30 pm 4 Susan DeMoss
8 Dwain Dixon
6:30 pm 11 Carrie Farrell
15 Mike and Sue Heidle
6:30 pm 18 Gail and Barb Garner
22 Al Julian
10:00 pm 24 *Volunteer needed!*
29 Kathy Kyle

Greeters

Dec. 1 Narthex John & Marcy Heeren
Chapel Kitty Lee
8 Narthex Charles Vollmer family
Chapel Charlotte Schendel
15 Narthex Bill & Joyce Martin
Chapel Carl & Jerry Young
Walter Harbison
22 Narthex Gary & Sarah Stuhr
Chapel Carol Johnston
29 Narthex Deneen Schendel Family
Chapel Dianne Seibert, Roger Seibert

Acolytes

	Sundays	Special Services
Dec. 1	Josey Clem	4 Tiffany Walters
8	Rhylie Beauvois	11 Zachary Davis
15	Hannah Christensen	18 Rhylie Beauvois
22	Zachary Davis	24 Noah Acree
29	Noah Christensen	

Altar Guild

Dec. Terri Albers, Carrie Farrell

Money Counters

Dec. Team "C" Mary Powell, Dianne Seibert

Check Signers

Dec. Wayne Mann, Jo Van Hoveln

Bible Quiz

Where did the child Jesus and his parents flee for safety?

A. Ethiopia
B. Syria
C. Rome
D. Egypt

Answer: D (See Matthew 2:13.)

"That's why I say, 'Fleece Navidad!'"

May you know the comfort and joy of God's presence this Christmas season and always!
Merry Christmas!



Elders

Jan. John Albers, Don DeMoss, Ken Kuhn

Communion Assistants

Jan. 5 Al Julian, Wayne Mann
 19 Josh Christensen, Dwain Dixon

Ushers

Jan. **Team "A"**
 Capt. Don DeMoss, Pete Rudolph, RJ Davis,
 Chris DeMoss, Randy Wilkinson

Lay Readers

Jan. 5 Marilyn Le Pere
 12 Jan Mann
 19 Diana Pratt
 26 Nancy Purviance

Greeters

Jan. 5 Narthex John & Marcy Heeren
 Chapel Kitty Lee
 12 Narthex Charles Vollmer family
 Chapel Charlotte Schendel
 19 Narthex Bill & Joyce Martin
 Chapel Carl & Jerry Young
 Walter Harbison
 26 Narthex Gary & Sarah Stuhr
 Chapel Carol Johnston

Acolytes

Jan. 5 Josey Clem
 12 Hannah Christensen
 19 Noah Christensen
 26 Rhylie Beauvois

Altar Guild

Jan. Sue DeMoss, Kim Davis

Money Counters

Jan. Team "A" Holly Clem
 Jerry & Charlotte Kennett

Check Signers

Jan. Marilyn Le Pere, Carol Johnston

Bible Quiz

According to Matthew, who was present at Jesus' baptism? (Choose as many as apply.)

- A. John the Baptist
- B. The Spirit of God
- C. Jesus' mother, Mary
- D. His first disciples

Answer: A and B (See Matthew 3:13-17.)

This Newsletter Sponsored By:

Arnold's Office Supply, Inc.

446-9693 arnoldsofficesupply.com

Locally Owned ... Gary & Sarah Stuhr



Immanuel Messenger

GOD WITH US

December 2019 & January 2020



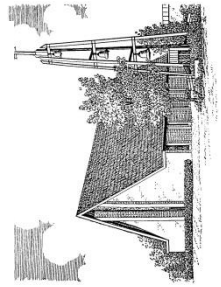
Immanuel Lutheran Church LCM5
1930 North Bowman Avenue
Danville, Illinois 61832-2298
Change Service Requested

Non-Profit Organization
U.S. Postage Paid
Danville, Illinois 61832-2298
U.S.P.S. Permit No. 333

Our December 2019 / January 2020
newsletter prepared prayerfully for:

This newsletter also available on our website:
www.ilcdanville.com

Immanuel Lutheran
1930 N. Bowman Ave.
Danville, IL 61832
www.ilcdanville.com
217.442-5675



Worship Schedule

Sunday Mornings
Dec. 1, 8, 15, 22 & 29
Jan. 5, 12, 19 & 26
8:30 am

Evenings
Dec. 4, 11 & 18
at 6:30 pm
Dec. 24 at 10:00 pm
Jan. 1, 8, 15, 22 & 29
5:00 pm

Communion Schedule

Dec. 1, 15 & 29
Jan. 5 & 19
8:30 am

Dec. 24 at 10:00 pm
Jan. 29 at 5:00 pm

